



TECHNICAL DATA

TYPE

Professional LED projectors for Public Lighting. Can be used in Highway or any public road and in Parks.

CHARACTERISTICS

- LEDs: 2835
- Nomial efficacy: 170 lm/W
- Maximum LED: 1000mA
- Lifetime L90B10: >50,000 hours
- Luminous flux and efficacy at 5700°K
- Luminous flux tolerance <+/-3%
- Values may be subject to change du LED binning.

OPENING/BEAM

High efficiency Ra>80 LED. 60°

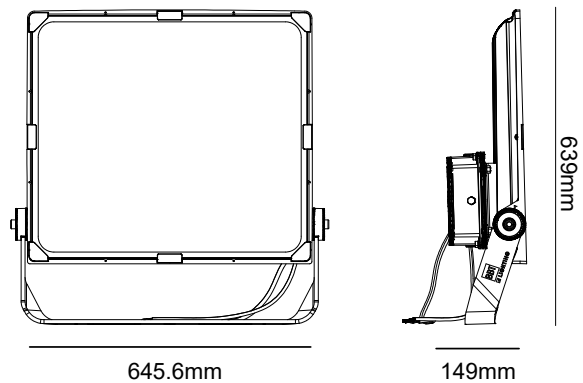
MATERIAL

- Die-cast aluminium, Transparent 4mm
- tempred-Glass
- Aluminum frame
- Steel Galvanized and painted bracket

PRO	CRI ≥ 70	
IP66		60 L°
100-277V 50/60Hz		5 YEARS WARRANTY

Model:	Cromo
Format:	Rectangular
Location:	Exterior
Wattage:	800W
Materials:	Aluminium
Led Color:	5700K
Product Dimension:	639*645,6*149mm
IP Code:	66
Fixation:	Surface
CRI :	70
Lumen Output:	136,000LM
Frequency:	50/60 Hz
Beam Angle:	60°
Net Weight:	17.0 Kgs

DIMENSION DRAW



OUTDOOR